

Date rev. Description

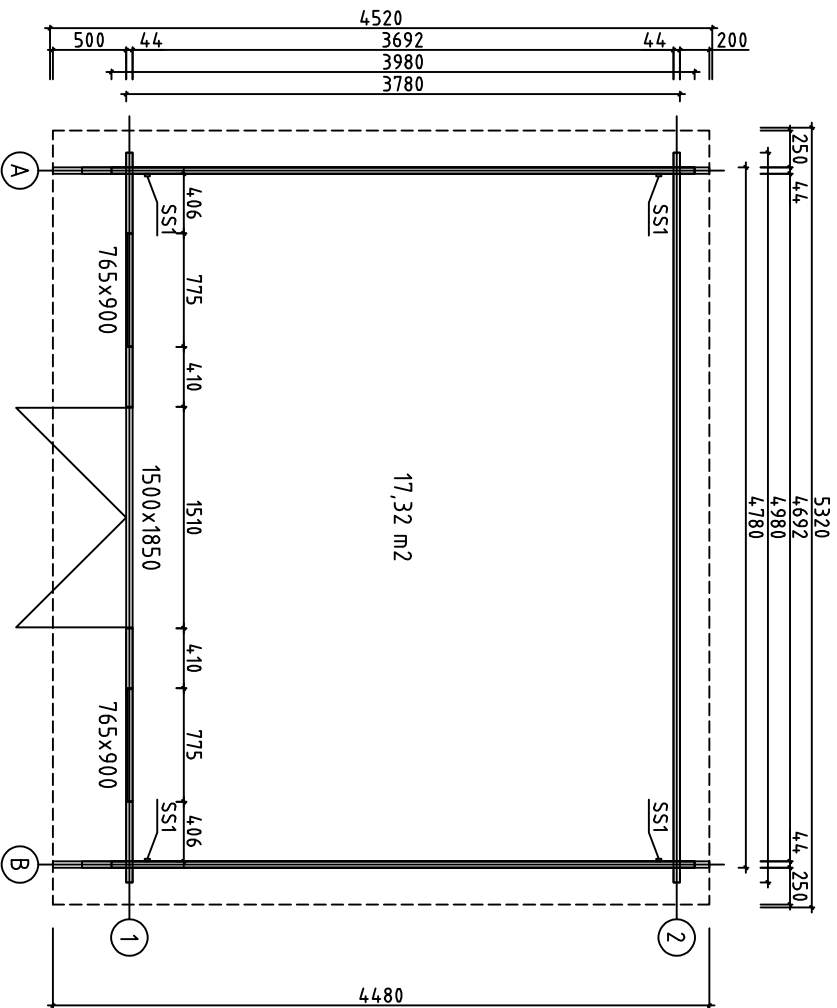
V 1.0

House	4.4.57681 München 8 ISO 4.4	Sheet	1
-------	-----------------------------	-------	---

Drawing	3D	Scale	
---------	----	-------	--

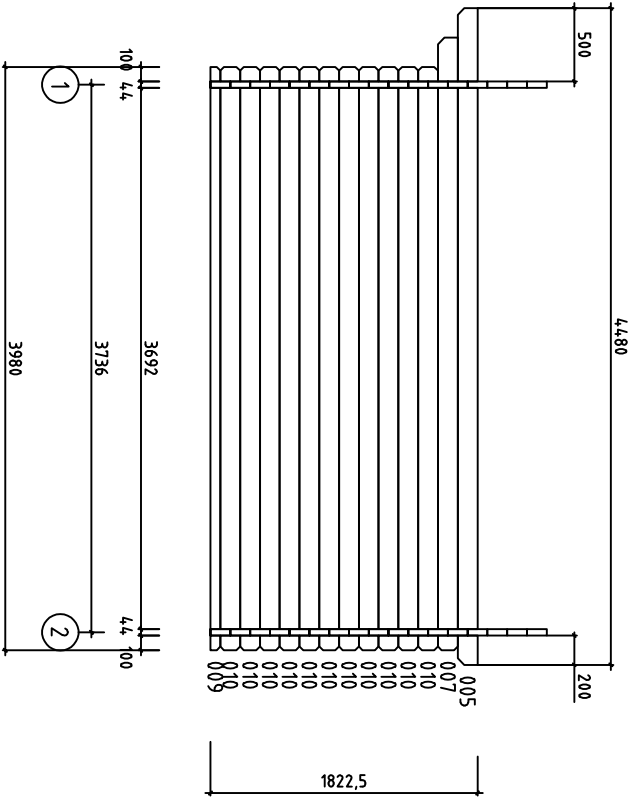
Material	4.4.X135	Date	18.12.2023
----------	----------	------	------------

Drawer	K.K.	File	4.4.57681 München 8 ISO 4.4 3D.dwg
--------	------	------	------------------------------------



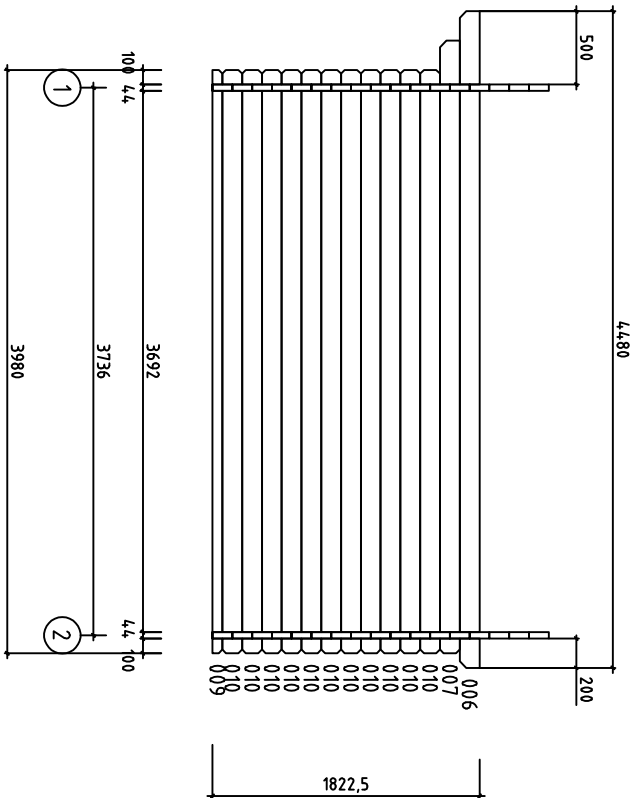
House	4457681 München 8 ISO 4.4	Sheet	2
Drawing	GRUNDPLAN-GRUNDPLAN-PLAN	Scale	1:50
Material	4.4x135	Date	11.12.2023
Drawer	K.K.	File	4457681 München 8 ISO 4.4.dwg

Wall-Wand-Muur A

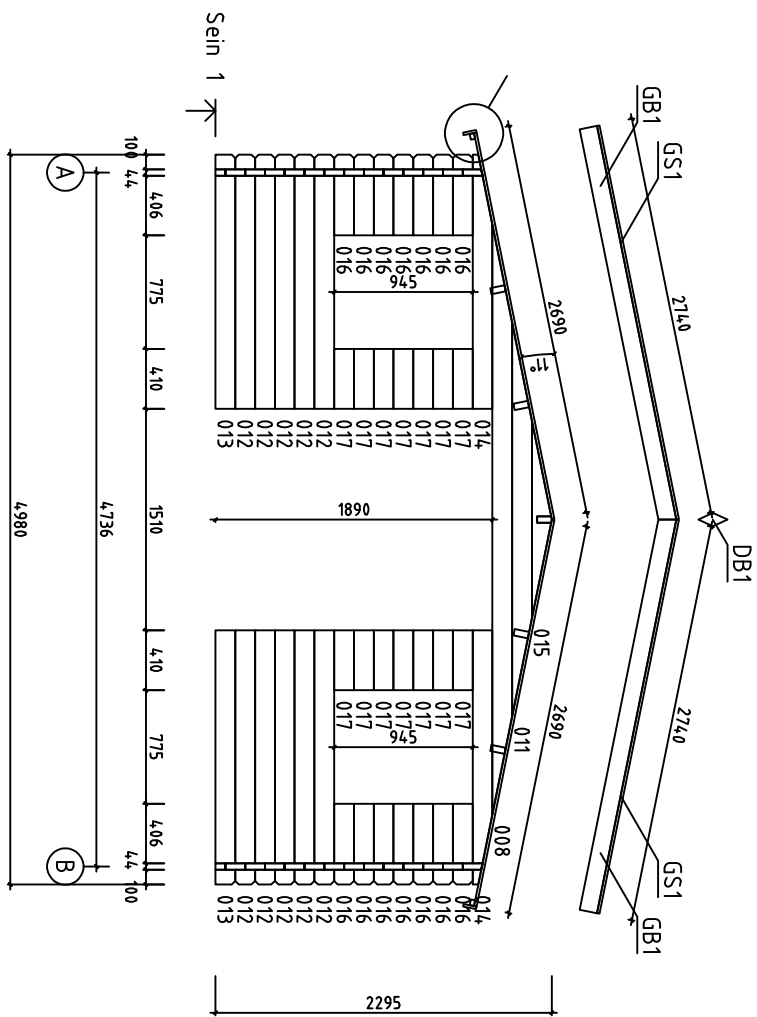
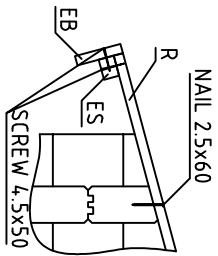


House	4457681 München 8 ISO 4.4	Sheet	3
Drawing	WALL - WAND - MUUR A	Scale	1:50
Material	44x135	Date	11.12.2023
Drawer	K.K.	File	4457681 München 8 ISO 4.4.dwg

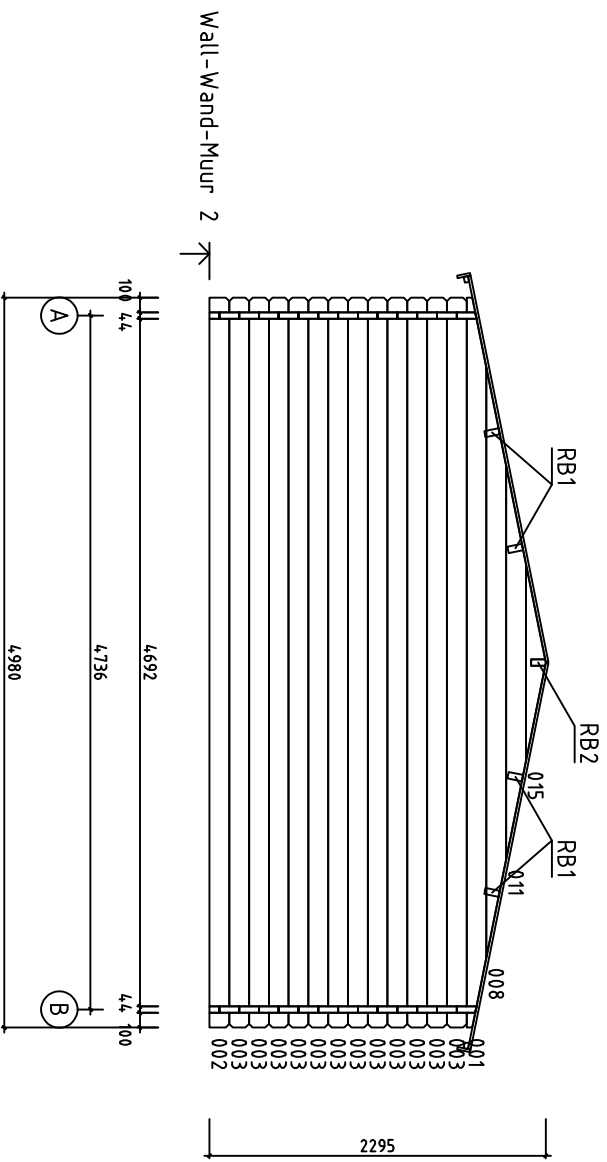
Wall-Wand-Muur B ↗



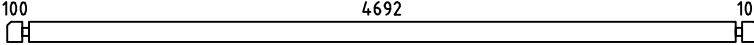
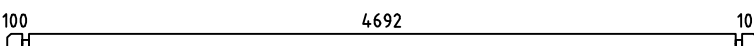
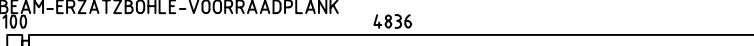
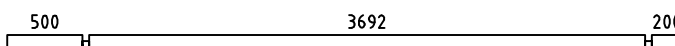
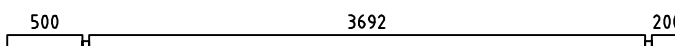
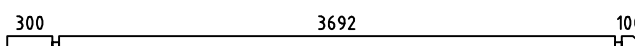
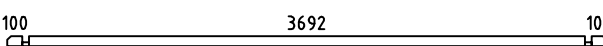
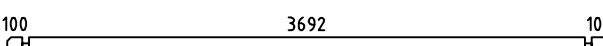
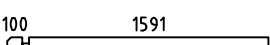
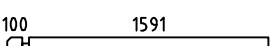
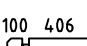

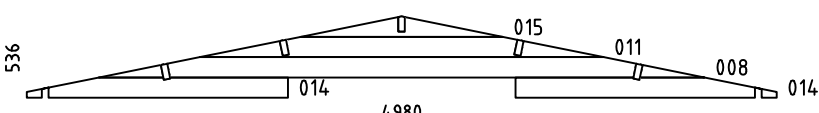
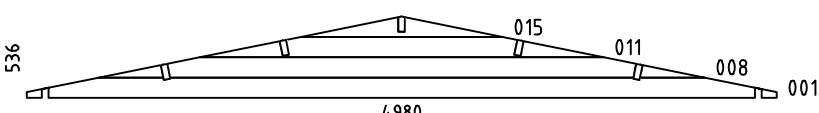

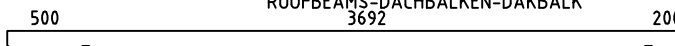
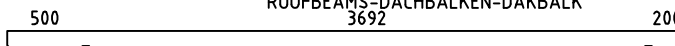

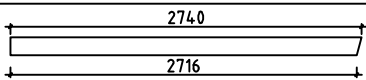




House	4457681 München 8 ISO 4.4	Sheet	4
Drawing	WALL - WAND - MUUR B	Scale	1:50
Material	44x135	Date	11.12.2023
Drawer	K.K.	File	4457681 München 8 ISO 4.4.dwg


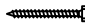


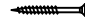

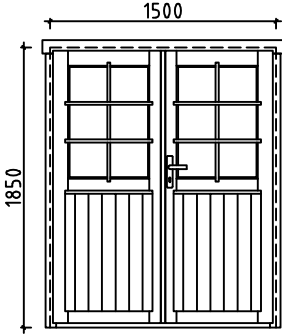
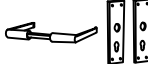


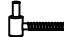
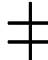
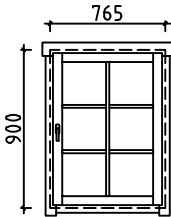
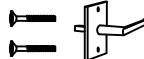
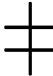



House	4457681 München 8 ISO 4.4	Sheet	5
Drawing	SEIN 1	Scale	1:50
Material	44x135	Date	11.12.2023
Drawer	K.K.	File	4457681 München 8 ISO 4.4.dwg



House	4457681 München 8 ISO 4.4	Sheet	6
Drawing	WALL - WAND - MUUR 2	Scale	1:50
Material	44x135	Date	11.12.2023
Drawer	K.K.	File	4457681 München 8 ISO 4.4.dwg

Pos	Specification-Bestimmung-Omschrijving	Pcs	Profile (mm)	L (mm)
002	 100 4692 100	1	44x135	4980
003	 100 4692 100	12	44x135	4980
004	SPARE BEAM-ERZATZBOHLE-VOORRAADPLANK  100 4836	1	44x135	4980
005	 500 3692 200	1	44x135	4480
006	 500 3692 200	1	44x135	4480
007	 300 3692 100	2	44x135	4180
009	 100 3692 100	2	44x68	3980
010	 100 3692 100	22	44x135	3980
012	 100 1591	10	44x135	1735
013	 100 1591	2	44x135	1735
016	 100 406	14	44x135	550
017		14	44x135	410
W1-1		1	44x536	4980
W2-1		1	44x536	4980
HB	HIT BLOCK-SCHLAGHÖLZER-BLAZENPLANK 	2	44x135	300
RB1	ROOFBEAMS-DACHBALKEN-DAKBALK  500 3692 200	4	43x140	4480
RB2	ROOFBEAMS-DACHBALKEN-DAKBALK  500 3692 200	1	43x140	4480
R1	ROOFBOARD-DACHBRETT-DAKPLANK  or-oder-of	80+2 104+2	18x114 18x88	2690
GB1	GABLE BOARD-GIEBELBLENDE-GEVELPLANK 	4	18x120	2740
GS1	ROOF FELT FILLET-GIEBELLEISTE-GEVELLIJST 	4	18x70	2740
EB1	EAVE BOARD-TRAUFBRETT-AFDEKPLANK 	4	18x90	2240
ES1	EAVE SLAT-TRAUFFENLEISTE-AFDEKLIJST 	4	30x40	2240
DB1	DIAMOND-RAUTE-DIAMANT 	2	18x90	200

Pos	Specification-Bestimmung-Omschrijving	Pcs	Profile (mm)	L (mm)
SS1	STORM SLAT-STURMLEISTE-STORMLIJST 	4	18x35	1750
	SCREWS-SCHRAUBEN-SCHROEF FOR-FÜR-VOOR SS1 	12	∅6.0	50
	WASHER-SCHEIBE-SCHIJF FOR-FÜR-VOOR SS1 	12	∅6.0	18
	NAIL-NAGEL-NAGEL FOR-FÜR-VOOR R1 	420	∅2.5	60
	SCREWS-SCHRAUBEN-SCHROEF FOR-FÜR-VOOR GB1, GS1, EB1, ES1, DB1 	80	∅4.5	50
	SCREWS-SCHRAUBEN-SCHROEF FOR-FÜR-VOOR RB1, RB2 	10	∅6.0	160
	DOUBLEDOOR-DOPPELTÜR-DUBBELE DEUR (right-rechts-rechts) AST_ISO_PL P 	1	1500	1850
		1		
		1		
		1		
		6		
		2		
	WINDOW-FENSTER-VENSTER (1x right-rechts-rechts; 1x left-links-links) AST_PRE 	P+V 1+1	765	900
		2		
		2		
		2		